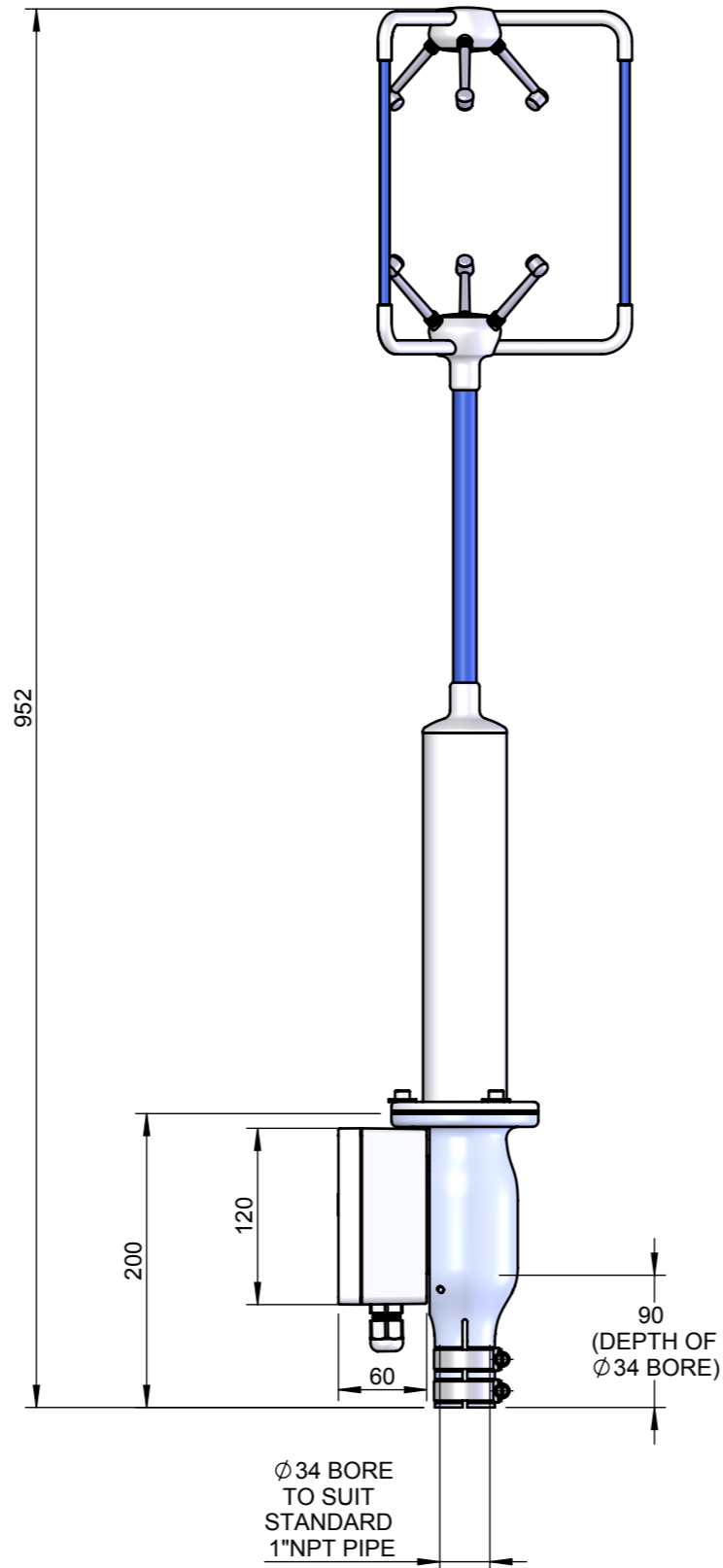


IP66 RATED PLASTIC ENCLOSURE

M20 CABLE GLAND

JUBILEE CLIP (2X)

65



200

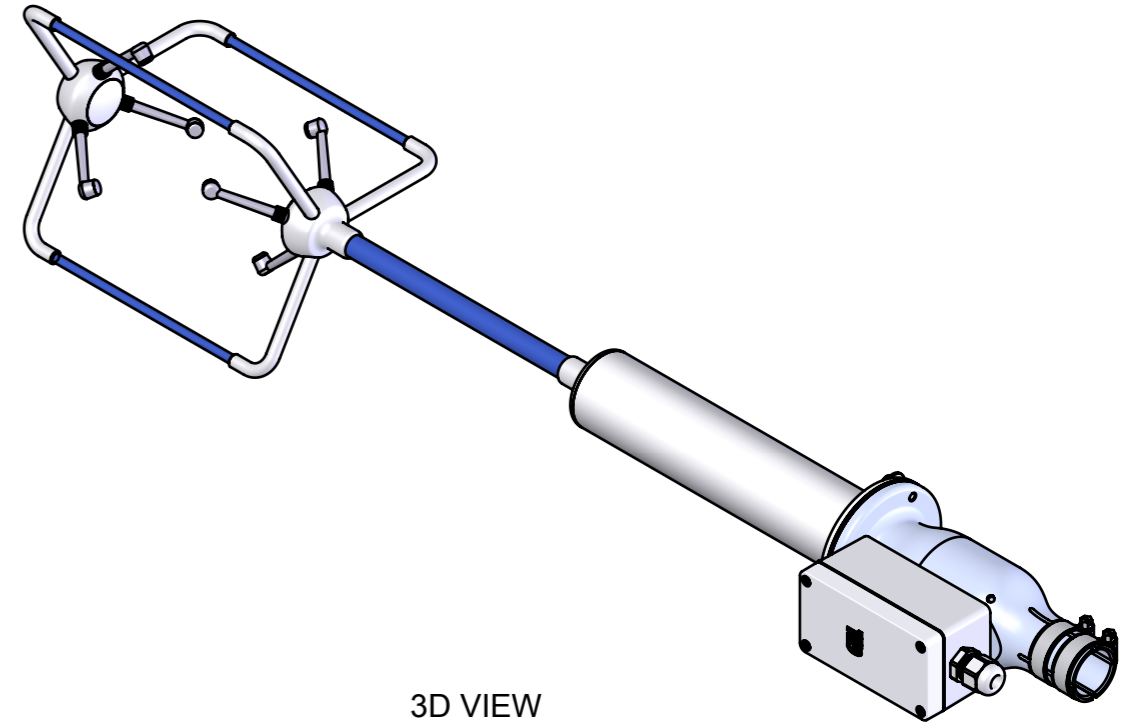
120

60

90
(DEPTH OF
Ø 34 BORE)

Ø 34 BORE
TO SUIT
STANDARD
1" NPT PIPE

952



3D VIEW

CONFIDENTIAL

	GILL RESEARCH & DEVELOPMENT LIMITED SALT MARSH PARK, 67 GOSPORT STREET LYMINGTON, HAMPSHIRE, SO41 9EG TEL: +44 (0) 1590 613400 E-MAIL: info@gillrd.com WEBSITE: www.gillrd.com			ISSUE	C/NOTE No.	DESCRIPTION	DRAWN	APPROVED	DATE	GENERAL TOLERANCES (UNLESS STATED)	0 DEC PLACE ±0.25mm 1 DEC PLACE ±0.10mm 2 DEC PLACE ±0.05mm ANGLES ±0.5°	MATERIAL	N/A	FINISH	N/A	
	© DESIGN COPYRIGHT RESERVED - THIS DOCUMENT INCLUDING THE COPYRIGHT THEREIN, IS THE EXCLUSIVE PROPERTY OF GILL RESEARCH AND DEVELOPMENT LIMITED, AND MAY NOT BE UTILISED FOR ANY PURPOSE OR DUPLICATED, COPIED, REPRODUCED OR TRANSMITTED TO ANY THIRD PARTY WITHOUT PERMISSION.			A	X	ORIGINAL	AJH	MRA	09.09.15	ALL PREVIOUS REVISIONS ARE TO BE ARCHIVED OR DESTROYED OR MARKED AS SUPERCEDED. NOTE DRAWING IS COMPUTER GENERATED. DO NOT SCALE OR CHANGE MANUALLY. REMOVE ALL BURRS AND SHARP EDGES. ALL DIMENSIONS ARE IN MILLIMETRES. SURFACE FINISH TO BE 1.6µmRa UNLESS OTHERWISE STATED. THIRD ANGLE PROJECTION.	SCALE	1:5 UNLESS STATED	TITLE	WINDMASTER ANEMOMETER PIPE MOUNT PROPOSAL		
										EXPORT CONTROL	DRAWING No.	1590-PK-050	SHEET	1 OF 1	SHEET SIZE	A3